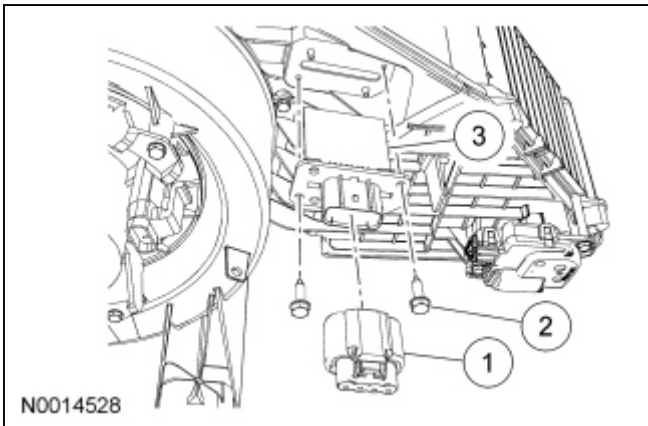


## Blower Motor Resistor



Item	Part Number	Description
1	—	Blower motor resistor electrical connector (part of 18B574)
2	W701696	Blower motor resistor screw (2 required)
3	18591	Blower motor resistor

### Removal and Installation

**NOTE:** The blower motor resistor can be accessed from below the RH side of the instrument panel.

1. Disconnect the blower motor resistor electrical connector.
2. Remove the 2 blower motor resistor screws.
3. Remove the blower motor resistor.
4. To install, reverse the removal procedure.

